

- 7th Gen Intel® Core™ i5 U-series Processor (Kaby Lake-U) running with Intel® HD Graphics 620 chipset supports max 15W TDP CPU
- -20°C to 60°C Operating Temperature
- DDR4 2133MHz SO-DIMM, up to 16GB
- Dual Independent Display : 1 HDMI, 1 LVDS/eDP
- 9V to 36V wide range DC power input
- SIM Socket for WiFi/4G/3G/LTE/GPRS/UMTS
- 8 USB, 5 COM, 1 SATA III
- 2 M.2 Socket : 1 M.2 Key B, 1 M.2 Key E

Self-service



Smart Automation



Gaming



Telemedicine



Specifications

System

Processor	7th Gen Intel® Core™ i5 U-series Processor (Kaby Lake-U)
BIOS	AMI
SIO	NCT6126D
Memory	1 DDR4 2133MHz SO-DIMM, up to 16GB
OS	Windows 10, Linux

Graphics

Processor	Intel® HD Graphics 620
Interface	Dual independent display : - 1 HDMI : Up to 4096 x 2160 @24Hz - 1 LVDS/eDP : Up to 1920 x 1200/ 4096 x 2304 @60Hz

Ethernet

LAN 1	Intel® I219LM GigE LAN supports iAMT 11.0
LAN 2	Intel® I211 GigE LAN

Audio

Audio Codec	Realtek® ALC269Q, 2+2 Channel HD Audio
Audio Interface	1 Mic-in, 1 Line-out

I/O Interface

Front I/O	- 1 HDMI Connector - 2 USB 2.0 Connector - 2 USB 3.0 Connector - 2 RJ45 Connector - 1 COM RS-232/422/485 Connector - 1 Power LED - 1 HDD LED - 1 Reset Button - 1 Power Button - 1 Remote Switch
Internal I/O	- 4 USB 2.0 Connector - 1 LVDS/eDP Connector - 1 GPIO Connector - 1 COM RS-232/422/485 Connector - 3 COM RS-232 Connector - 1 Touch Pin Header - 1 DC Power Input - 1 Speaker Out Connector - 1 Mini PCIe Socket - 1 SIM Socket - 1 M.2 Key B Socket - 1 M.2 Key E Socket

Storage

SATA	1 SATA III (6Gbps)
------	--------------------

Expansion

Mini PCIe	1 Full-size for PCIe/USB/SIM/Optional mSATA
M.2	- 1 M.2 Key B Socket (2242) - 1 M.2 Key E Socket (2230)

Power

Power Input	9V to 36V, DC-in
Power Interface	4-pin Header : V+, V+, GND, GND

Others

HW Monitor	Monitoring temperature, voltages. Auto throttling control when CPU overheats.
------------	---

Mechanical

Dimensions	146.0mm x 105.0mm (5.75" x 4.13")
------------	-----------------------------------

Environment

Operating Temp.	-20°C to 60°C (-4°F to 147°F)
Storage Temp.	-40°C to 85°C (-40°F to 185°F)
Humidity	5% to 95% Humidity, non-condensing
Relative Humidity	95% @60°C
EMC	CE, FCC

Packing List

eSBC-1000	x1
Driver/User Manual DVD	x1
Cable Kit	
- Power Cable	x1
- COM port Cable (2 ports)	x1
- COM port Cable	x1
- USB Cable (2 ports)	x1
- SATA Power Data Cable	x1

Order Information

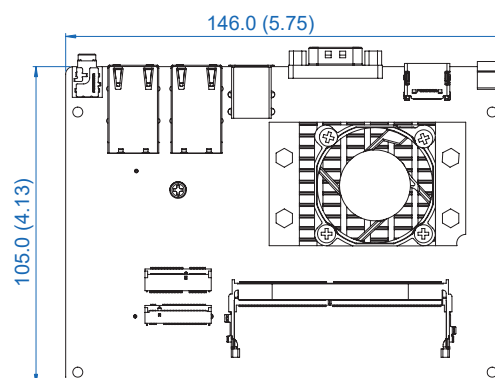
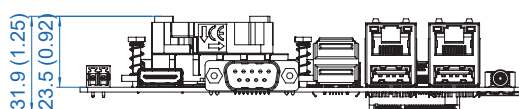
Model	GigE LAN	M.2	USB 3.0	USB 2.0	HDMI	COM	SATA III
eSBC-1000-7200U	2	2	2	6	1	5	1

Optional Accessories

71-DHFE10-001	Cooler
61-19310U2-019	USB Cable (2 ports)
61-1300026-3CM	SATA Power Data Cable
61-1390910-39M	COM Port Cable
61-1392910-39M	COM Port Cable (2 ports)
51-221J006-00G	Terminal Block

Dimensions & Drawing

Unit : mm (inch)



* All product information may subject to change without prior notice.
* The rights of all brand names, product names and trademarks belong to their respective owners.
Copyright © 2021 Vecow Co., Ltd. All rights reserved.